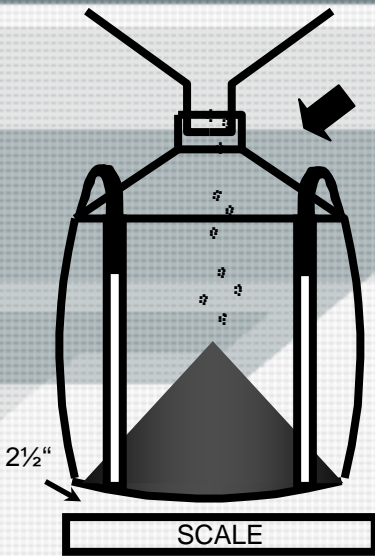


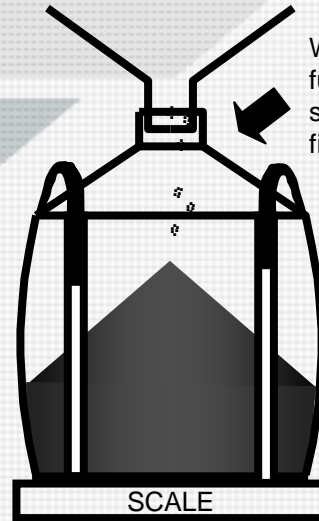
# Lowering Costs Through Unique Solutions

## AMERIGLOBE

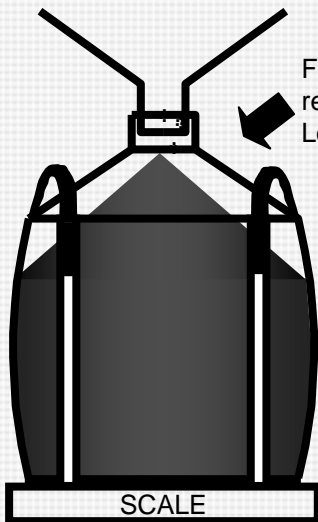
### Proper Fill Procedure for FIBC's



When using a modular bag with a Load 'n' Lock top, suspend the bag approx. 2 1/2" above the scale platform and begin filling directly in the center of the bag. (This allows the bag to stretch to full capacity and provides better fill in the bottom corners.) This establishes a solid base.

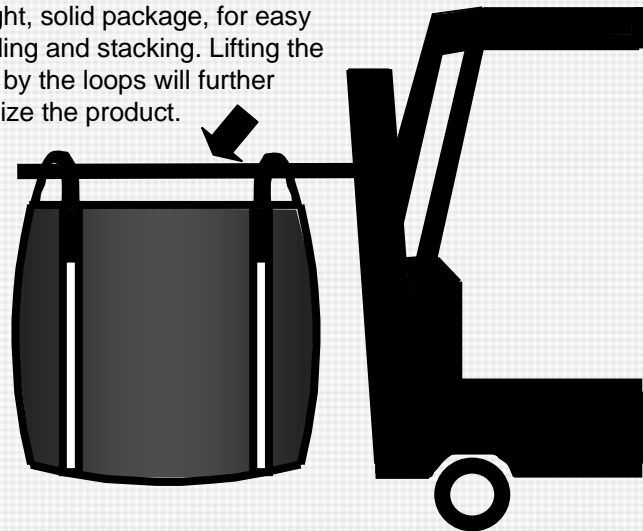


When the bag is approx. half full, lower the bag onto the scale platform and continue filling.



Fill bag until the product reaches the drawstring on the Load 'n' Lock top.

Tie off the top of the bag. Excess product in the cone of the bag settles in the top corners of the bag, creating a straight, solid package, for easy handling and stacking. Lifting the bags by the loops will further stabilize the product.



For the Duffle top bag, use the same procedure. Overfill to allow product to fill the top corners when the top is pulled down tight and tied. Our tie cord is 2" longer than standard to permit easy tie-off.

Most companies claim to offer better bag prices. AmeriGlobe's systematic approach lets us find ways to save you money. Whether is it creating instruction packets for your team or creating unique designs, we work to lower you costs. Call AmeriGlobe today to find out what we can do for you.